

Name: \_\_\_\_\_

Exam Style Questions  
Decimals: Addition  
and Subtraction



Corbettmaths

Equipment needed: Pen, Calculator

**Guidance**

1. Read each question carefully before you begin answering it.
2. Check your answers seem right.
3. Always show your workings

Video Tutorial

[www.corbettmaths.com/contents](http://www.corbettmaths.com/contents)

Videos 90, 91



Answers and Video Solutions



1. Four students answer a question.



The table shows how long it took each student to answer the question.

Olivia	Jessica	Erin	Zinah
15.2 seconds	27.1 seconds	20.5 seconds	13.8 seconds

- (a) Who answered the question in the slowest time?

Jessica  
(1)

- (b) Work out the difference between Erin's time and Zinah's time.

$$\begin{array}{r} 20.5 \\ - 13.8 \\ \hline 6.7 \end{array}$$

6.7 seconds  
(1)

2. Work out  $1.2 + 4.7 + 3.5$



$$\begin{array}{r} 1.2 \\ 4.7 \\ + 3.5 \\ \hline 9.4 \end{array}$$

9.4  
(2)

3. Work out



(a)  $17.8 + 2.53$

$$\begin{array}{r} 17.80 \\ + 2.53 \\ \hline 20.33 \end{array}$$

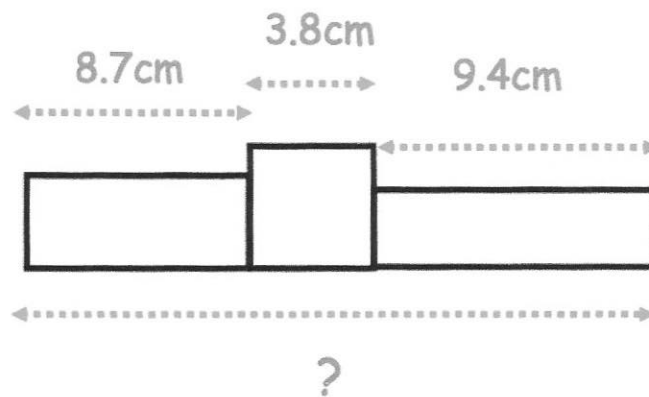
$$\begin{array}{r} 20.33 \\ \hline \end{array} \quad (1)$$

(b)  $6.2 - 1.77$

$$\begin{array}{r} 5 \phantom{0} \phantom{0} \\ 6.20 \\ - 1.77 \\ \hline 4.43 \end{array}$$

$$\begin{array}{r} 4.43 \\ \hline \end{array} \quad (1)$$

4. Three blocks are placed together as shown below.



Find the total length of the three blocks.

$$\begin{array}{r} 8.7 \\ 3.8 \\ + 9.4 \\ \hline 21.9 \end{array}$$

$$\begin{array}{r} 21.9 \text{ cm} \\ \hline \end{array} \quad (2)$$

5. (a) Work out  $\pounds 7.85 + \pounds 1.42$



$$\begin{array}{r} 7.85 \\ + 1.42 \\ \hline 9.27 \end{array}$$

$$\pounds 9.27$$

---

(2)

(a) Work out  $\pounds 20.00 - \pounds 5.39$

$$\begin{array}{r} 20.00 \\ - 5.39 \\ \hline 14.61 \end{array}$$

$$\pounds 14.61$$

---

(2)

6. The Moore family are going on holiday.  
They have a maximum luggage allowance of 23kg



When they arrive at the airport, their luggage weighs 16.7kg

How much under the maximum luggage allowance does their luggage weigh?

$$\begin{array}{r} 23.0 \\ - 16.7 \\ \hline 6.3 \end{array}$$

$$6.3 \text{ kg}$$

---

(1)

7. Work out  $4.2 - 1.35$



Circle the correct answer.

$$\begin{array}{r} 3 \quad 1 \\ 4.20 \\ - 1.35 \\ \hline 2.85 \end{array}$$

3.85

2.95

2.85

5.55

(1)

8. Work out



(a)  $1.5 + 0.36 + 10.4$

$$\begin{array}{r} 1.50 \\ 0.36 \\ + 10.40 \\ \hline 12.26 \end{array}$$

12.26

(2)

(b)  $9.2 - 1.34$

$$\begin{array}{r} 8 \quad 1 \\ 9.20 \\ - 1.34 \\ \hline 7.86 \end{array}$$

7.86

(2)

9. Write a number in the box to make the calculation correct.

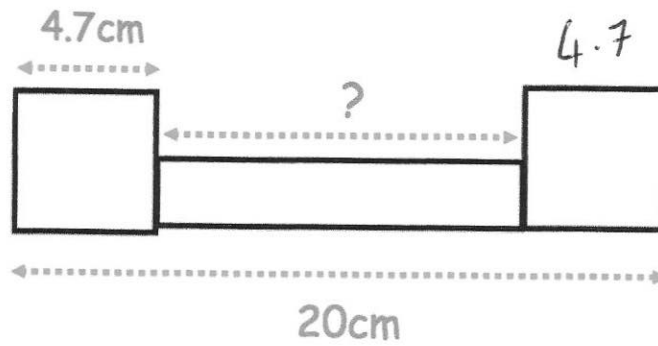


$$34.2 + \boxed{45.8} = 80$$

$$80 - 34.2 = 45.8$$

(1)

10. Two identical squares and a rectangle are drawn below.



Find the length of the rectangle.

$$\begin{array}{r} 4.7 \\ 4.7 \\ \hline 9.4 \end{array}$$

$$\begin{array}{r} 20.0 \\ - 9.4 \\ \hline 10.6 \end{array}$$

.....cm  
10.6  
(3)

11. Here are five number cards.



Fintan chooses two numbers and adds them together.  
His answer is a whole number.

Which two number cards did Fintan choose?

.....and .....  
4.95 and 7.05  
(2)

12. Sebastian buys a gift which costs £18.20  
He pays with a £20 note.



(a) How much change does he receive?

$$\begin{array}{r} 20.00 \\ - 18.20 \\ \hline 1.80 \end{array}$$

£ 1.80

(1)

The change is given in the smallest number of coins.

(b) What coins does Sebastian receive?

£1 50p 20p 10p

(1)

13. Add together 0.8, 0.113, 0.438 and 0.231



$$\begin{array}{r} 0.800 \\ 0.113 \\ 0.438 \\ + 0.231 \\ \hline 1.582 \end{array}$$

1.582

(2)

14. Jacqui's basic pay is £14.65 per hour.  
On a Sunday she gets an extra £2.78 per hour.



Work out how much Jacqui is paid per hour on a Sunday.

$$\begin{array}{r} 14.65 \\ + 2.78 \\ \hline 17.43 \end{array}$$

£ 17.43  
(2)

15. Luke had £20 when he went shopping.



He bought

2 birthday cards at £2.70 each  
1 toy at £6.50  
1 book at £5.75

How much money did he have left after he bought these items.

$$\begin{array}{r} 2.70 \\ 2.70 \\ 6.50 \\ + 5.75 \\ \hline 17.65 \end{array}$$

$$\begin{array}{r} 20.00 \\ - 17.65 \\ \hline 2.35 \end{array}$$

£ 2.35  
(4)

16. Chloe has a 8 metre length of wire.



She cuts two pieces from the wire.

The first piece was 1.28 metres long.

The second piece was 0.65 metres long.

How much wire is left?

$$\begin{array}{r} 1.28 \\ + 0.65 \\ \hline 1.93 \end{array}$$

$$\begin{array}{r} 7 \quad 9 \\ \cancel{8.00} \\ 1.93 \\ \hline 6.07 \end{array}$$

6.07  
.....m  
(3)

17. Peter is 1.64 metres tall.



Peter is 18 centimetres taller than Nick.

Work out Nick's height in metres.

$$\begin{array}{r} 5 \quad 1 \\ 1.64 \\ - 0.18 \\ \hline 1.46 \end{array}$$

1.46  
.....m  
(1)

18. Work out  $582.7 + 48.6 - 9.08$



$$\begin{array}{r} 582.7 \\ + 48.6 \\ \hline 631.3 \end{array}$$

$$\begin{array}{r} \overset{2}{6}\overset{1}{3}\overset{2}{1}.80 \\ - 9.08 \\ \hline 622.22 \end{array}$$

622.22

.....  
(2)

19. Work out  $25.3 - 8.94 + 5.7$



$$\begin{array}{r} \overset{1}{2}\overset{4}{5}.30 \\ - 8.94 \\ \hline 16.36 \end{array}$$

$$\begin{array}{r} 16.36 \\ + 5.70 \\ \hline 22.06 \end{array}$$

22.06

.....  
(2)

20. Shown below is a rectangle.

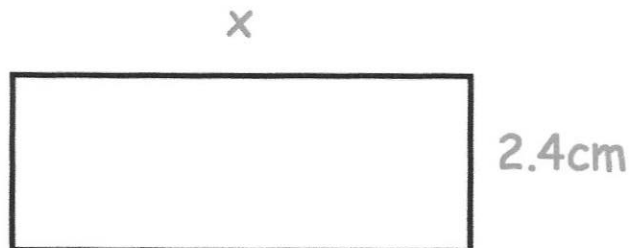


Find the perimeter of the rectangle.

$$\begin{array}{r} 5.3 \\ 5.3 \\ 2.6 \\ + 2.6 \\ \hline 15.8 \end{array}$$

15.8  
.....cm  
(2)

21. Shown below is a rectangle with perimeter 15.2cm



Find the length of the rectangle.

$$\begin{array}{r} 2.4 \\ + 2.4 \\ \hline 4.8 \end{array}$$
$$\begin{array}{r} 4.1 \\ 15.2 \\ - 4.8 \\ \hline 10.4 \end{array}$$

$$\begin{array}{r} 5.2 \\ 2 \overline{)10.4} \end{array}$$

5.2  
.....cm  
(3)