

Name:

Exam Style Questions

Volume: L-Shaped Prism



Corbettmaths

Equipment needed: Calculator, pen

Guidance

1. Read each question carefully before you begin answering it.
2. Check your answers seem right.
3. Always show your workings

Video Tutorial

www.corbettmaths.com/contents

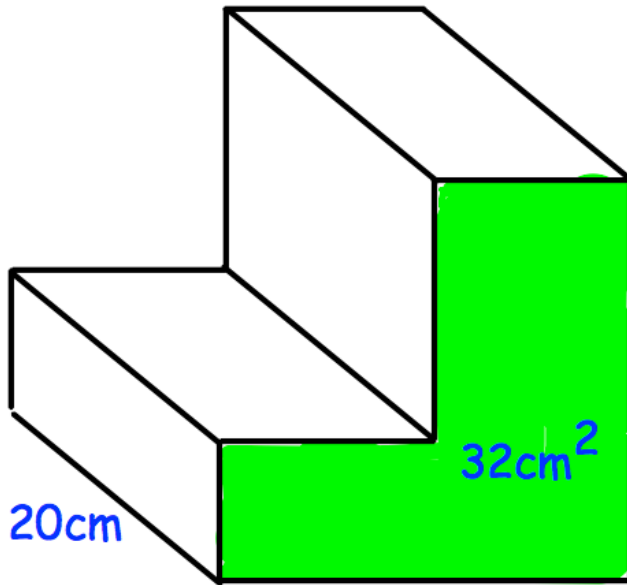
Video 358



Answers and Video Solutions



1. The diagram shows a prism.

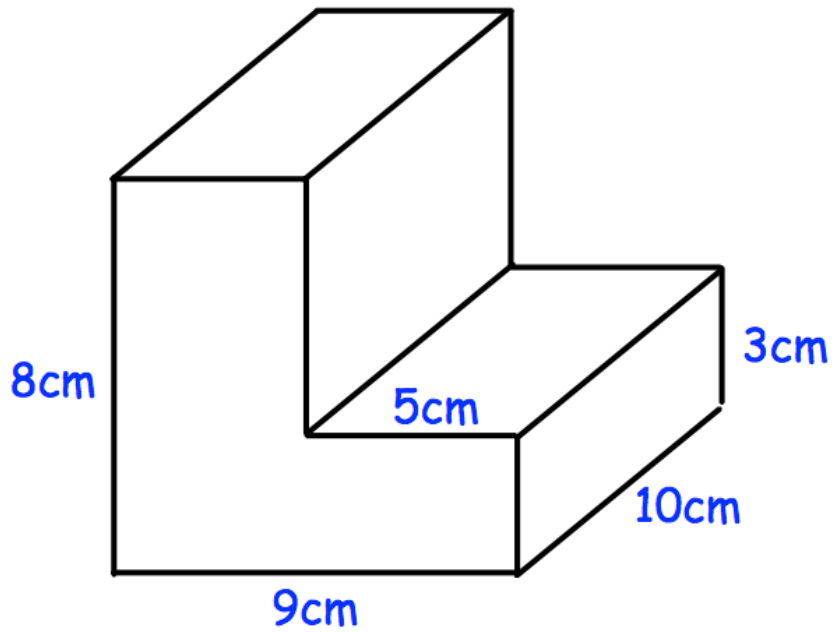


The cross-sectional area is 32cm^2 .

Work out the volume of the prism.

..... cm^3
(2)

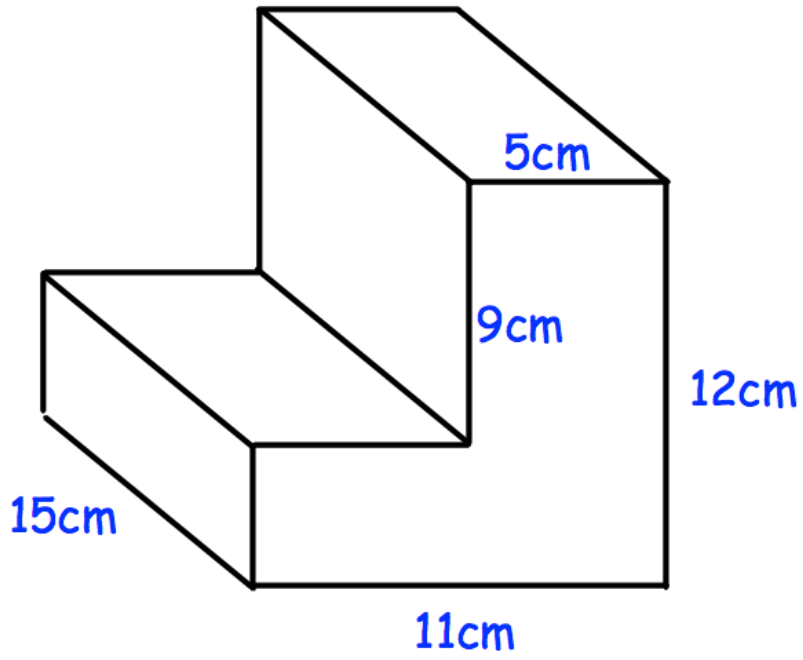
2. The diagram shows a prism.



Work out the volume of the prism.

.....cm³
(4)

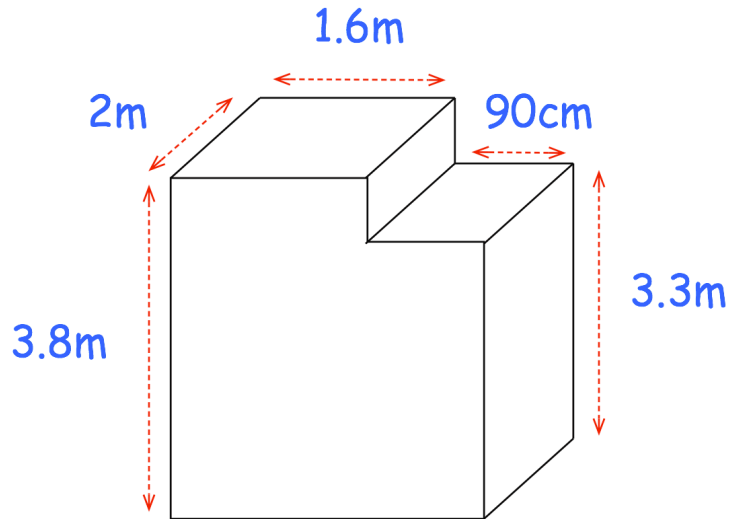
3. The diagram shows a prism.



Work out the volume of the prism.

.....cm³
(4)

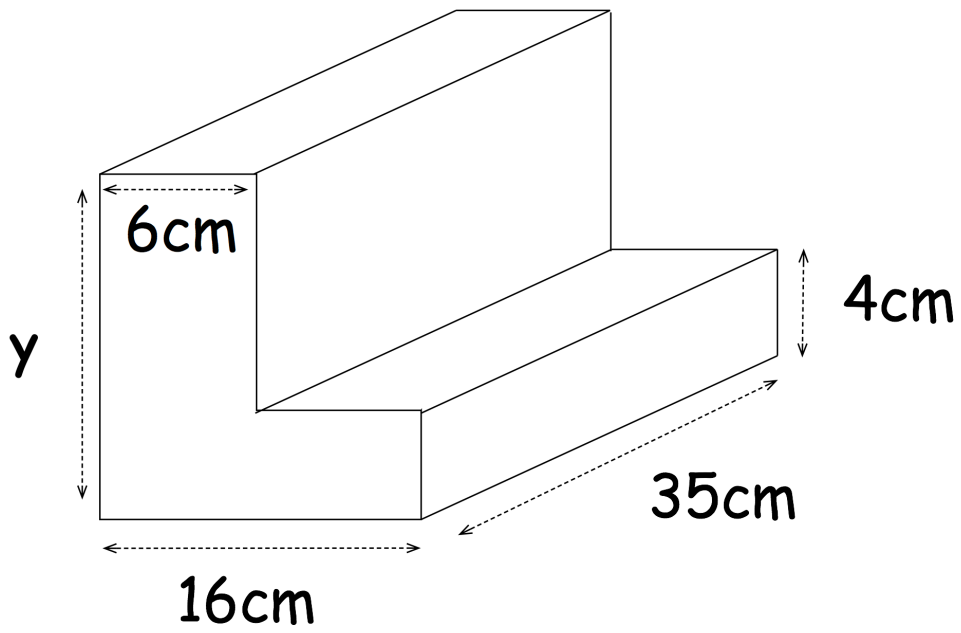
4. Shown below is a prism.



Work out the volume of the prism.
State the units of your answer.

.....
(4)

5. Shown below is a prism.

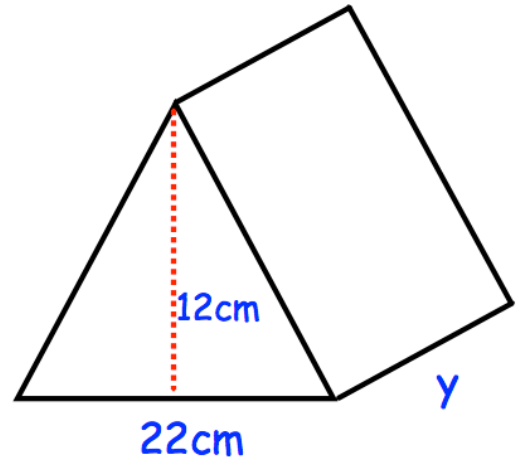
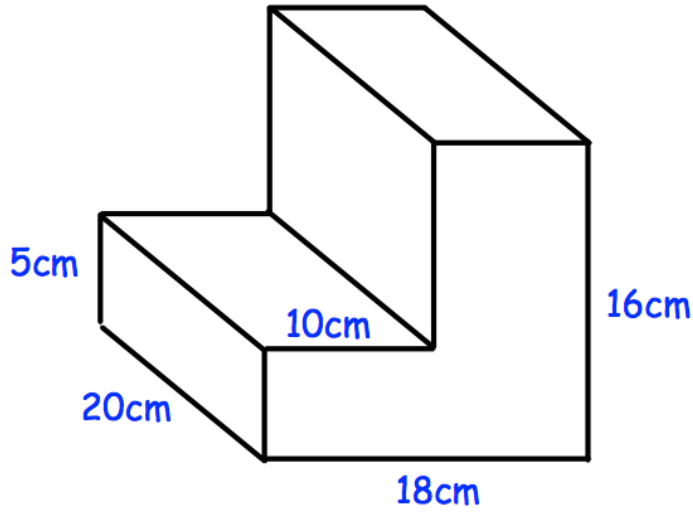


The volume of the prism is 3815cm^3

Work out the height of the prism, y .

.....cm
(4)

6. Shown below is an L-shaped prism and a triangular prism.



Both prisms have the same volume.

Calculate y .

.....cm
(5)